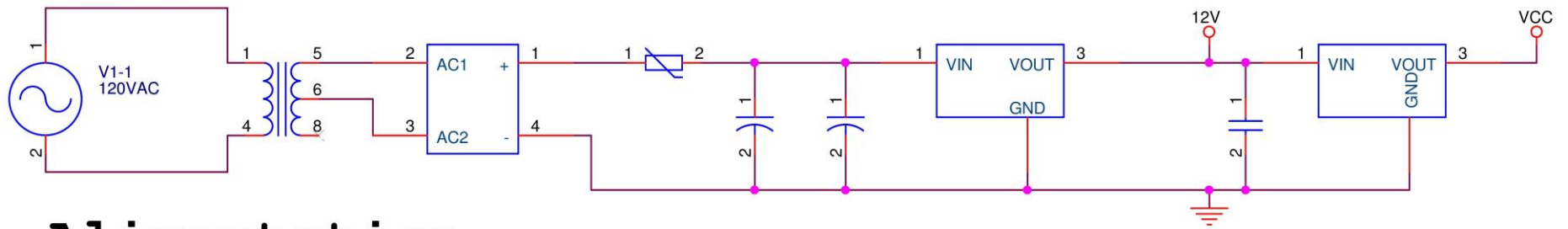
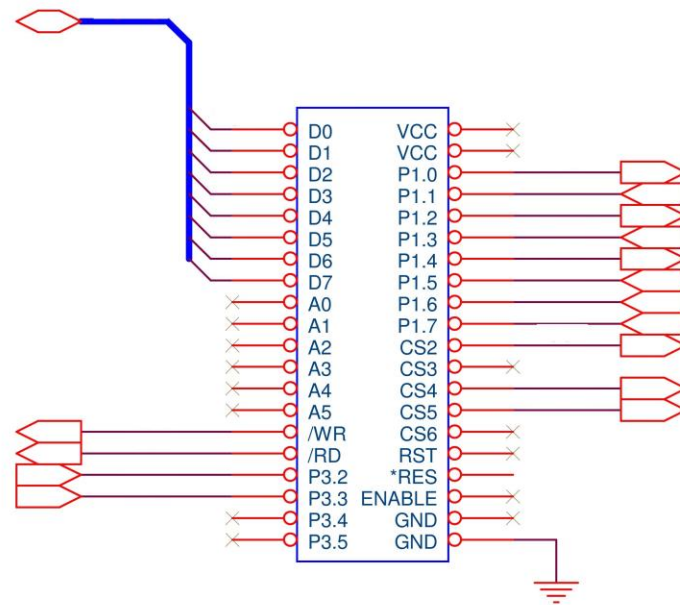


Par Andy Beaudoin		
Title Projet_S2_0_PROJET		
Size A	Document Number Projet_S2.DSN	Rev A
Date:	Friday, May 01, 2015	Sheet 0 of 4



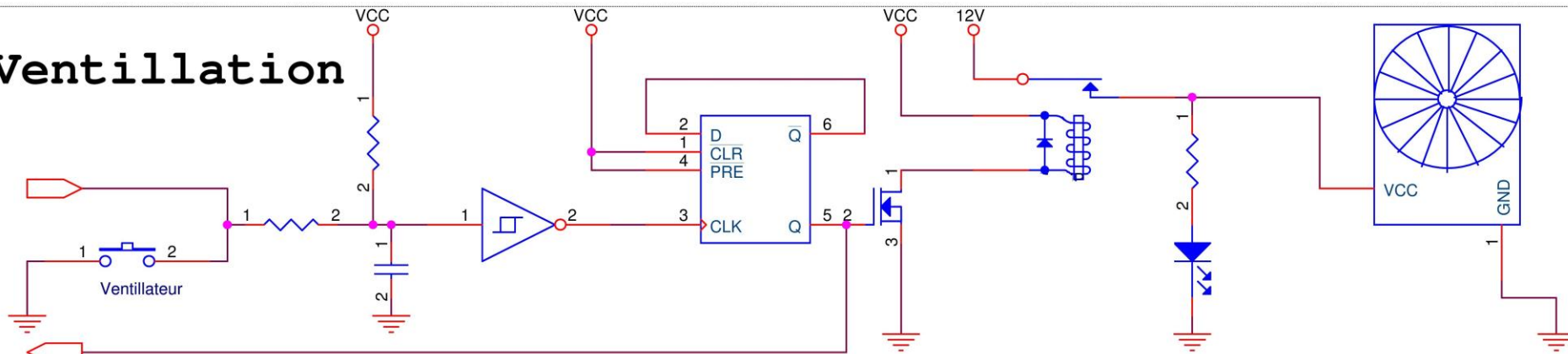
# Alimentation

# Liens au DALLAS

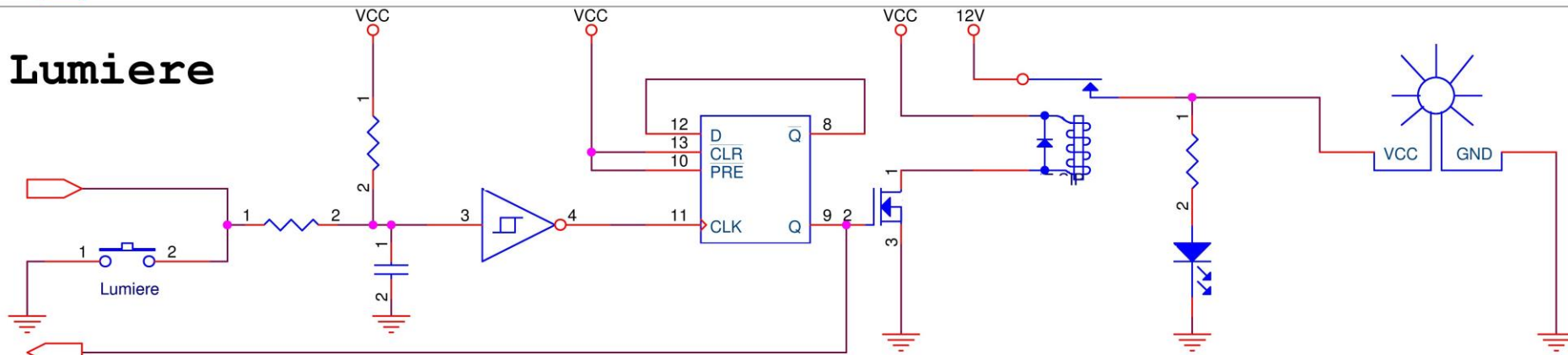


Par: Philippe Bourgault		
Title Projet_S2_1_SYSTEME		
Size A	Document Number Projet_S2.DSN	Rev A
Date:	Wednesday, May 20, 2015	Sheet 1 of 4

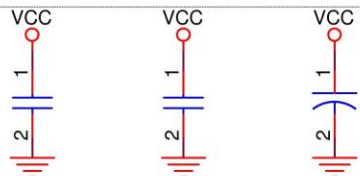
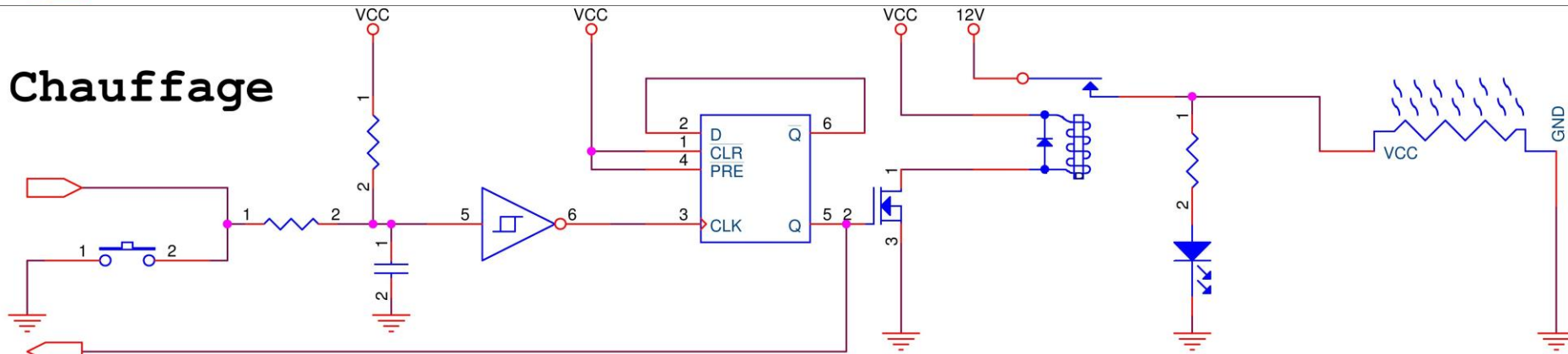
# Ventilation



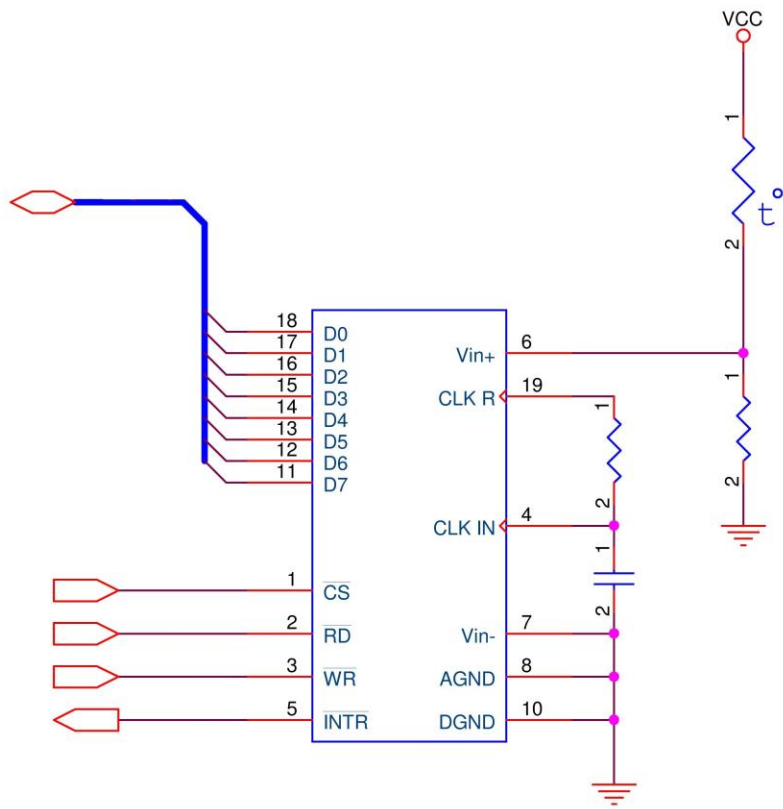
# Lumiere



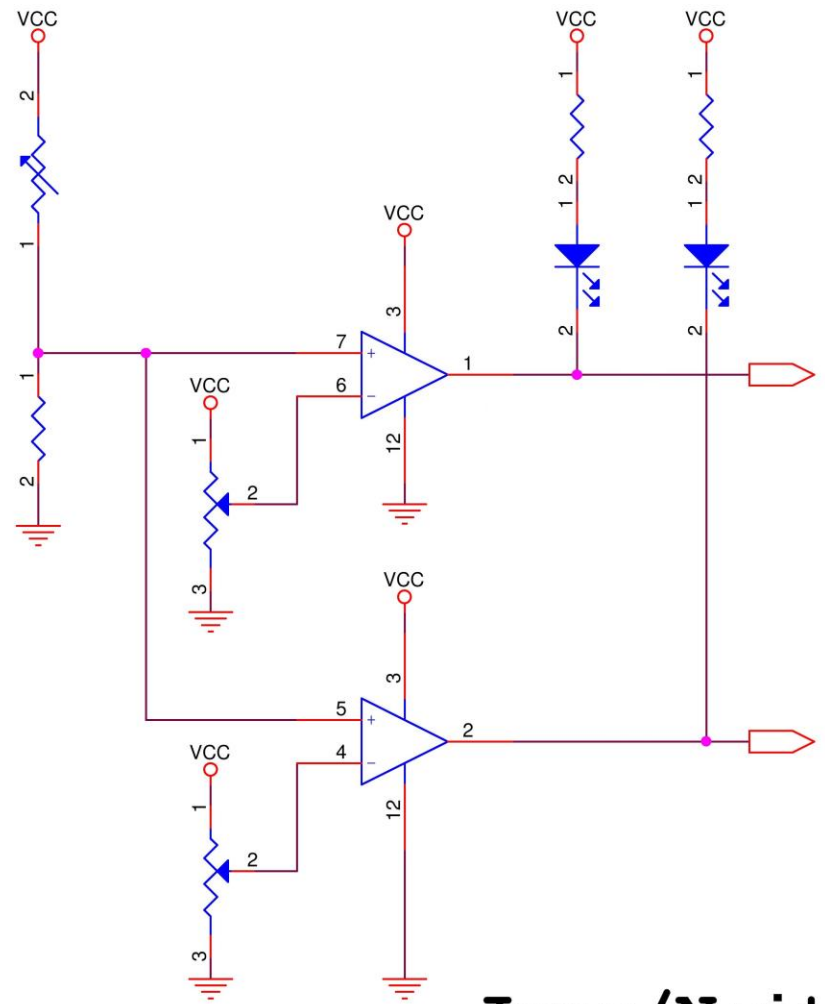
# Chauffage



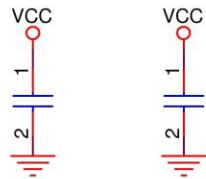
Par: Andy Beaudoin		
Title ProjetS2_2_CONTROLE		
Size A	Document Number Projet_S2.DSN	Rev A
Date: Friday, May 01, 2015	Sheet 2	of 4



Temperature

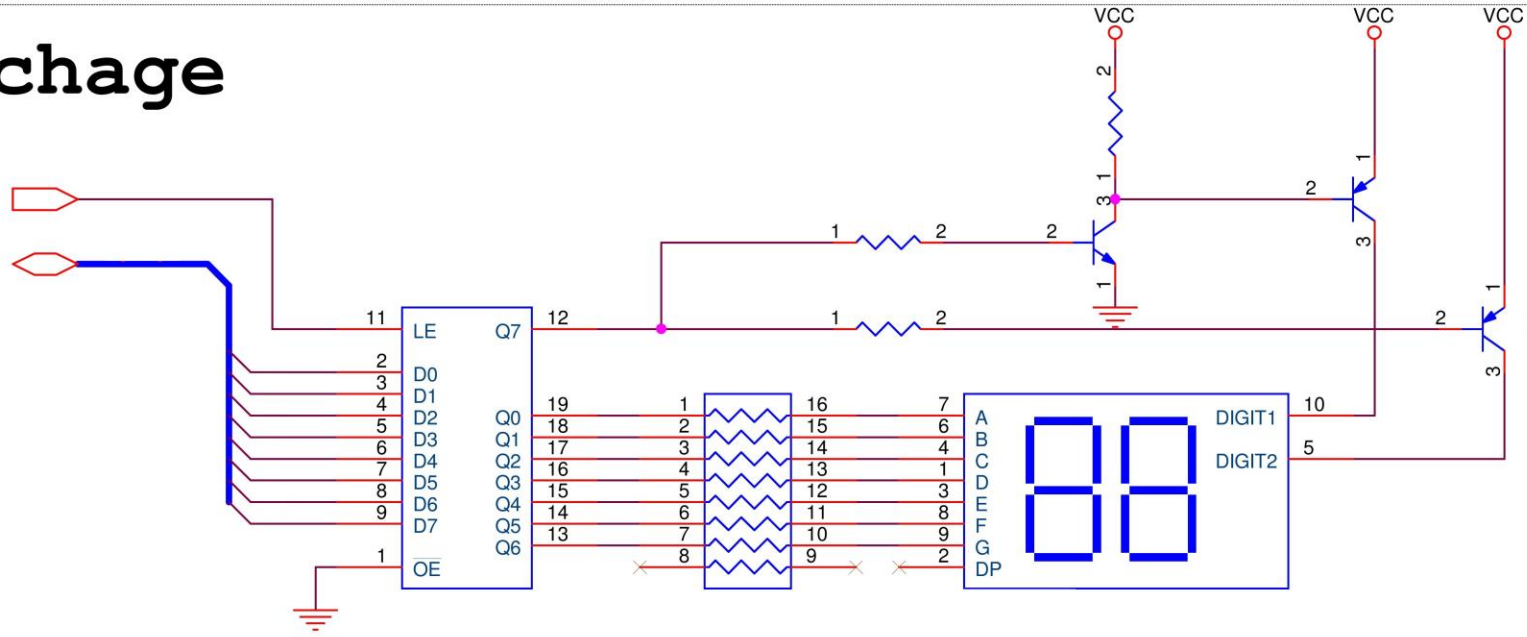


Jour/Nuit

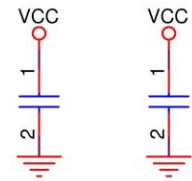
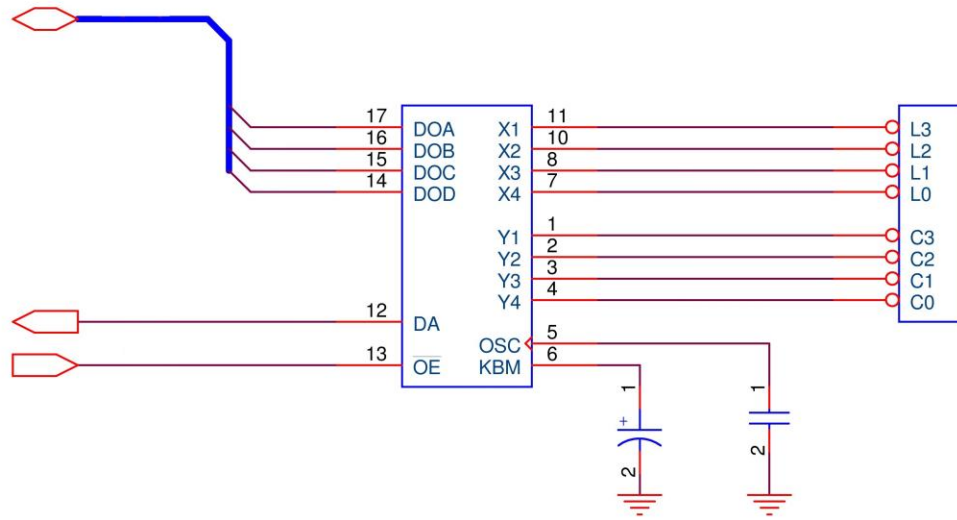


Par: Philippe Bourgault		
Title Projet_S2_3_LUM-TEMP		
Size A	Document Number Projet_S2.DSN	Rev A
Date:	Wednesday, May 20, 2015	Sheet 3 of 4

# Affichage



# Clavier



Par Philippe Bourgault		
Title Projet_S2_4_INTERFACE		
Size A	Document Number Projet_S2.DSN	Rev A
Date:	Wednesday, May 20, 2015	Sheet 4 of 4