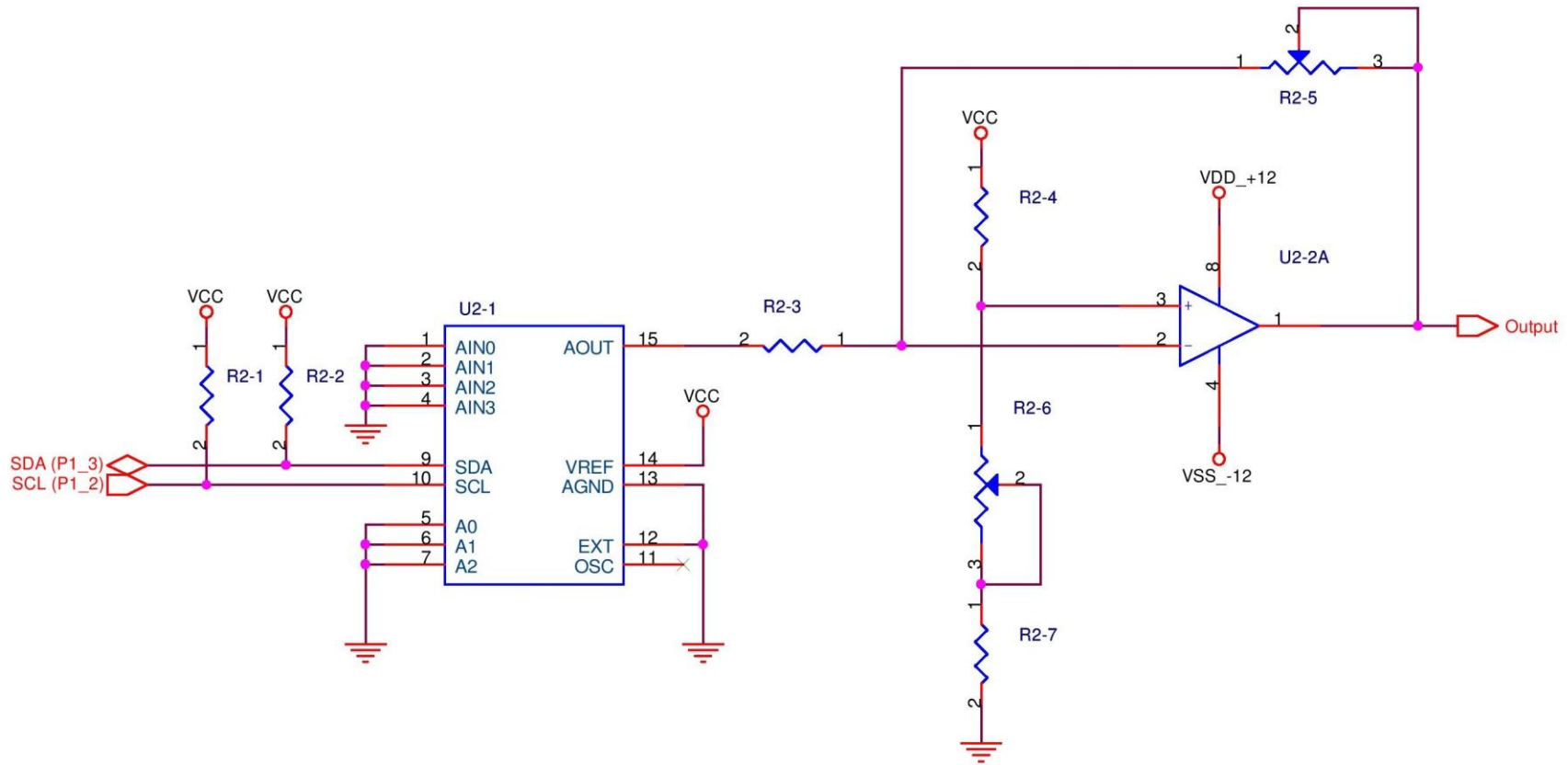


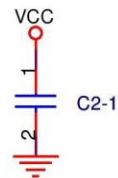
Circuit	VCC	GND
PCF8591P	8	16

Conception : Philippe Bourgault		
Title Voltmetre Autorange		
Size A	Document Number ProjetSession3.dsn	Rev A
Date:	Sunday, December 06, 2015	Sheet 1 of 1



Circuit	VCC	GND
PCF8591P	8	16

Informations :
 R22 ajuste l'amplitude de la sortie.
 R23 ajuste le OFFSET de la sortie.



Conception : Philippe Bourgault		
Title Digital to Analog Converter (DAC)		
Size A	Document Number DAC.dsn	Rev B
Date:	Sunday, December 06, 2015	Sheet 1 of 1